

X3000

Top



Ethernet If the LED is continuously lit, the modem router is successfully connected to a device through that port.



Wi-Fi Protected Setup™ Button Press this button to have Wi-Fi Protected Setup™ search for your Wi-Fi Protected Setup™-supported wireless device. The LED is continuously lit when a Wi-Fi Protected Setup™ connection is successfully established. The LED blinks slowly while Wi-Fi Protected Setup™ is setting up a connection, and blinks rapidly in amber if an error occurs. The LED is off when Wi-Fi Protected Setup™ is idle.



Wireless The Wireless LED lights up when the wireless feature is enabled. It flashes when the modem router is actively sending or receiving data over the network.









WAN Lights up white when the modem router is connected directly to an ADSL line. Lights up blue when the modem router is set up as a router only and is connected to the internet through a separate modem.




Power The Power LED lights up when the modem router is powered on. When the modem router goes through its self-diagnostic mode during every boot-up, the LED flashes. When the diagnostic is complete, the LED is continuously lit.

Back




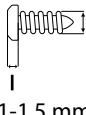
-  **DSL**—Connects to the ADSL line.
-  **Cable**—To use the modem router as only a router, use a network cable to connect this port to a separate modem's LAN/Ethernet port.
-  **Ethernet**—Using Ethernet cables (also called network cables), these Ethernet ports connect the modem router to computers and other Ethernet network devices on your wired network.
-  **USB**—For network-attached storage, connect an external USB drive to this port.
-  **Power**—The Power port connects to the included power adapter.
-  **Power button**—Press | (on) to turn on the modem router. (Button not available on North American models.)

Bottom

-  **Reset**—This button allows you to reset the router to its factory defaults. Press and hold the Reset button for approximately five seconds.

Wall-mounting placement

The router has two wall-mount slots on its bottom panel. The distance between the slots is 175.56 mm. Two screws are needed to mount the router.

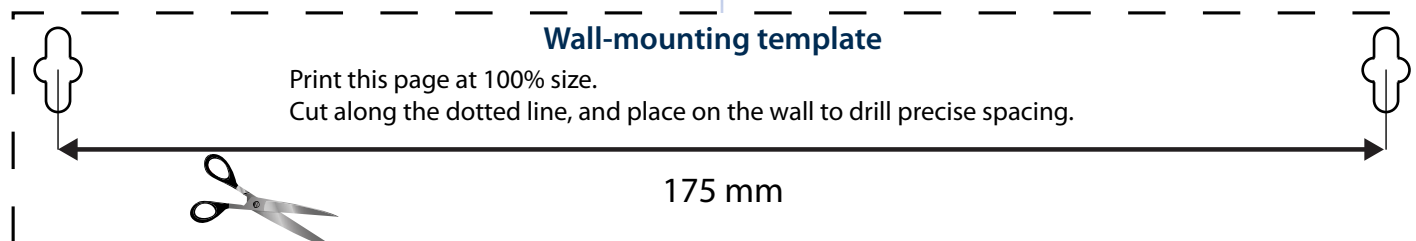
Suggested Mounting Hardware	
 4-5 mm	 2.5-3.0 mm 1-1.5 mm

NOTE

Cisco is not responsible for damages incurred by unsecured wall-mounting hardware.

Follow these instructions:

1. Determine where you want to mount the router. Make sure that the wall you use is smooth, flat, dry, and sturdy. Also make sure the location is within reach of an electrical outlet.
2. Drill two holes into the wall. Make sure the holes are 175 mm apart.
3. Insert a screw into each hole and leave 3 mm of its head exposed.
4. Position the router so the wall-mount slots line up with the two screws.
5. Place the wall-mount slots over the screws and slide the router down until the screws fit snugly into the wall-mount slots.



X3000

Standards	WLAN: 802.11n, 802.11g, 802.11b Ethernet: 802.3, 802.3u, 802.3ab ADSL: T1.413i2, G.992.1 (G.DMT), G.992.2 (G.Lite), G.992.3 (ADSL2), G.992.5 (ADSL2+) for Annex A, B, M, L, U-R2 for Annex B USB 2.0
Ports	DSL, Cable, Gigabit (10/100/1000) Ethernet (1-4), Power, USB
Buttons	On/Off, Reset, Wi-Fi Protected Setup™
LEDs	Power, Ethernet (1-4), Wi-Fi Protected Setup, Wireless, Internet
Cabling Type	CAT5, RJ-11 (for Annex A), RJ-45 (for Annex B)
Antennas	2 Internal
Modulations	802.11b: CCK/QPSK, BPSK 802.11g: OFDM/BPSK, QPSK, 16-QAM, 64-QAM 802.11n: OFDM/BPSK, QPSK, 16-QAM, 64-QAM
Transmit Power	802.11b: 12,5 ± 1,5 dBm 802.11g: 12,5 ± 1,5 dBm 802.11n: 12,5 ± 1,5 dBm
Receive Sensitivity	802.11b: -85 dBm (typical) @ 11 Mbps 802.11g: -70 dBm (typical) @ 54 Mbps 802.11n HT20: -68 dBm (typical) @ MCS15 802.11n HT40: -65 dBm (typical) @ MCS15
Antenna gain	802.11b/g/n: Right antenna 3,60 dBi Left antenna 2,51 dBi
Security Features	WPA2™/WPA™ Personal and Enterprise; 128, 64 bits WEP; MAC Address Filtering; SPI Firewall
OS Requirements (for Setup wizard)	Windows 7, Windows Vista, Windows Vista 64-bit edition, or Windows XP Mac OS X 10.5 or higher
USB Storage	Maximum supported capacity: 1 x 2 TB

Environmental

Dimensions	202 x 34 x 160 mm (8,0" x 1,3" x 6,3")
Weight	335 g (11,8 oz)
Power	12VDC, 1,5A
Certification	FCC, CE, Telepermit, K.21, UL, CB, Wi-Fi (802.11b/g/n), WPA™, WPA2™, WMM, Wi-Fi Protected Setup™
Operating Temperature	0 to 40°C (32 to 104°F)
Storage Temperature	-20 to 70°C (-4 to 158°F)
Operating Humidity	10 to 85% Noncondensing
Storage Humidity	5 to 90% Noncondensing

NOTES

For regulatory, warranty, and safety information, see the CD that came with your modem router or go to Linksys.com/support.

Specifications are subject to change without notice.

Maximum performance derived from IEEE Standard 802.11 specifications. Actual performance can vary, including lower wireless network capacity, data throughput rate, range and coverage. Performance depends on many factors, conditions and variables, including distance from the access point, volume of network traffic, building materials and construction, operating system used, mix of wireless products used, interference and other adverse conditions.